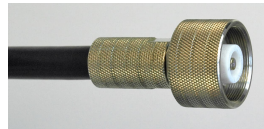


HVM50K

High voltage coaxial connectors

Montena proposes high voltage RF 50-ohm coaxial connectors and cable assemblies specially developed for fast high voltage pulse transmission. The HVM50K series is designed for pulses up to 75 kV.



Cable connector HVM50K-CA



Feed through HVFT50K-S



Socket HVM50K-S

SPECIFICATIONS - CONNECTORS

Reference	HVM50K-CA (m)	HVFT50K-S (f)	HVM50K-S (f)
Type	cable connector	feed through connector	panel mount socket
Recommended cable	RG217/U	n/a	n/a
Standard	proprietary		
Impedance	50 ohm		
Maximum DC voltage	25 kV		
Maximum pulse voltage	75 kV (for pulses shorter than 1 ns)		
Rise time	88 ps		
Frequency range	DC - 4 GHz		
External dimensions (diam. x L)	Ø 35 x 65.5 mm	Ø 44 x 47.6 mm	Ø 44 x 40 mm
Panel cut out	n/a	Ø 30 mm	Ø 30 mm



Cable assembly HVK50-xxx



Cable assembly HVK50-N-xxx

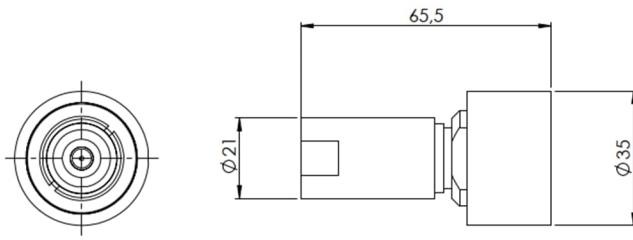
CABLE ASSEMBLIES

Reference	Connector 1	Connector 2	Cable	Maximum ratings
HVK50-xxx	HVM50K-CA (m)	HVM50K-CA (m)	RG217/U	25 kV DC, 75 kV pulses < 1 ns
HVK50-N-xxx	HVM50K-CA (m)	N (m)	RG217/U	1.5 kV DC, ~3 kV pulses < 1 ns
HVK50-O-xxx	HVM50K-CA (m)	open end	RG217/U	25 kV DC, 75 kV pulses < 1 ns

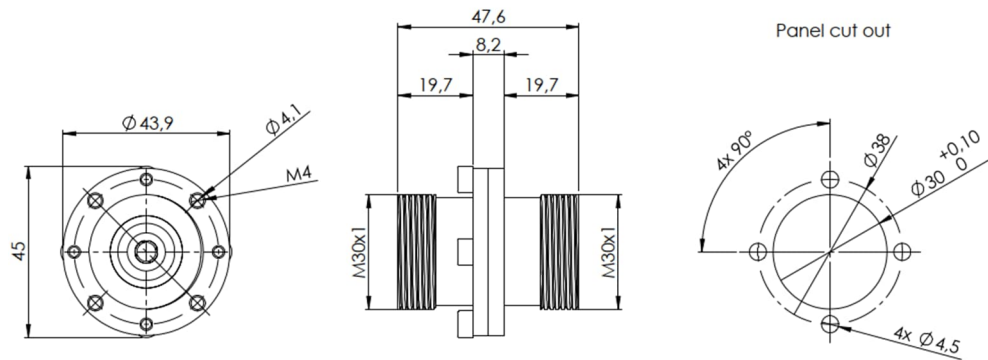
xxx is the length in cm; standard lengths = 50 / 100 / 200 cm.

Main dimensions

Cable connector HVM50K-CA



Feed through HVFT50K-S



Panel mount socket HVM50K-S

