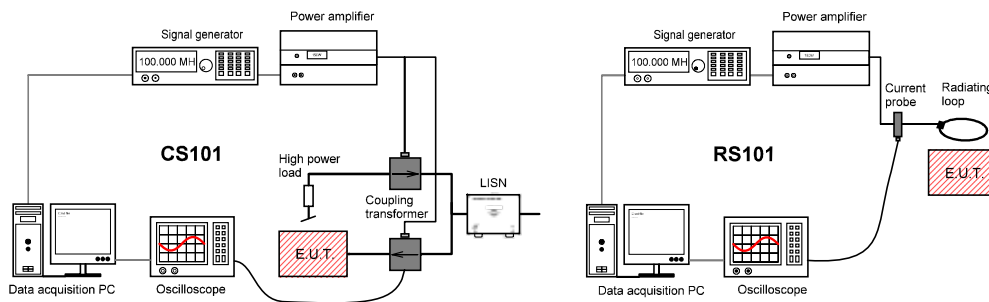


MIL-STD-461 CS101 and RS101

MIL-STD-461 CS101 specifies the conducted susceptibility test of equipment and subsystem AC and DC input power leads, in the frequency range of 30 Hz to 150 kHz.

MIL-STD-461 RS101 is also used to assess the radiated susceptibility of equipment and subsystem enclosures, including electrical cable interfaces, in the frequency range of 30 Hz to 100 kHz.

Montena offers a complete test solution for both standards. A dedicated control software with a graphical user interface allows simple setup via scroll down menus to select the appropriate components. Calibration and measurement are designed to be fully automated, with reports generated afterwards.



| | EQUIPMENT | REFERENCE | SPECIFICATIONS |
|------------------------------|-------------------------|------------|---|
| Frequency injection | Signal generator | SIG10M | 0 to 10 MHz |
| | Power amplifier | PA20K13A | 0 to 300 kHz frequency range |
| | Coupling transformers | TR250K50A | 50 A, for CS101 |
| | Radiating loop | SG12-RS101 | 30 Hz to 100 kHz, 15 A continuous for RS 101 |
| Test accessories | High power load | VR15-210 | Variable resistor to compensate the power current feedback into the amplifier |
| | Precision resistor | R0.5-200A | 0.5 Ω 200 A, resistor for calibration |
| | LISN | LISN50-25 | Line impedance stabilization network 50 μH, 20 A |
| | Field monitoring sensor | SCR4-RS101 | Single coil for calibration |
| Measurement equipment | Current probe | CT10000F | 50 A, 1 Hz to 20 MHz |
| | Oscilloscope | OD2C100M | 100 MHz bandwidth, 1 Gs/s, 2 channels |
| | Software | | Management of calibration, settings, tests and reports |

- Automatic calibration for the full test frequency range
- Automatic configuration of the measurement equipment setting
- Built-in scroll-down menus for selecting test equipment and components
- Frequency sweeping
- Test and calibration reports automatically generated